

H3C WTU420 Wireless Terminator Unit Installation Quick Start-6W104

H3C WTU420无线终结单元 快速安装指南-6W104



Tool list 工具参考

The installation tools are not provided with the device.
Prepare them yourself.
AP不随机提供安装工具，请用户根据实际安装需求自备工具。



Phillips screwdriver
十字螺丝刀



Rubber hammer
橡胶锤



Marker
记号笔



Drill
冲击钻



Ladder
梯子



Socket screwdriver
六角螺钉螺丝刀

Installation accessories 安装附件介绍



Wall anchor kit
膨胀管和螺钉



M2 Security screw
M2防盗螺钉

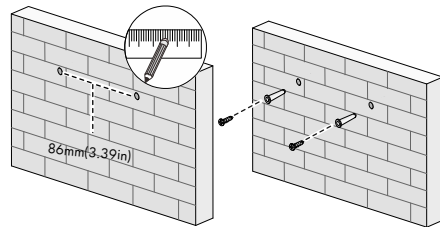


Screw kit
吸顶安装套件

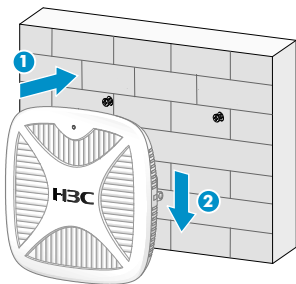
Mounting the device on a wall 安装设备到墙面

Drill two mounting holes (6 mm) in the wall. Insert a wall anchor into each mounting hole, and hammer the wall anchor into the hole until the wall anchor is flush with the wall. Fasten the screw into each wall anchor. Do not fasten the screws all the way in. Leave a space of 1 mm (0.04 in) to 3 mm (0.12 in).

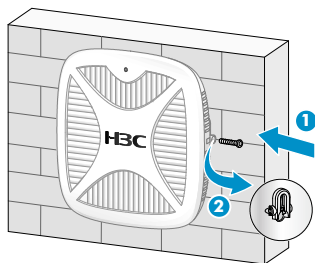
在墙面上钻孔(6mm)，然后在孔中插入膨胀螺管，用橡胶锤敲打膨胀螺管一端，直到将膨胀螺管全部敲入墙面，把螺钉拧到膨胀螺管中，注意不要把螺钉全部拧进膨胀螺管中，需要留出1~3mm用来固定AP。



Align the bolt holes on the device rear with the screws on the wall.
Slide the device down onto the screws to secure the device in place.
将设备的安装孔对准墙面的螺钉，然后向下按压设备通过螺钉将设备固定住。



Align the M2 security screw with the screw hole in the right of the AP and use the socket screwdriver to fasten the screw.
将M2防盗螺钉对准设备右侧的螺孔，使用六角螺钉螺丝刀拧紧螺钉。

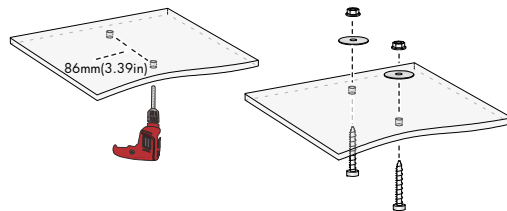


3

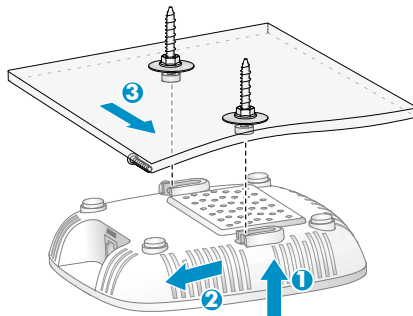
Mounting the AP on a ceiling 吸顶安装

Drill two mounting holes (3 mm) in the ceiling. Insert a bolt through each hole. Screw the washer and bolt onto the bolt. Do not screw the bolts tightly onto the ceiling. Leave a space of 1 mm (0.04 in) to 3 mm (0.12 in).

在天花板上钻孔（6mm），然后再孔中螺杆，在天花板上拧上螺帽和垫片，注意不要把螺杆贴紧天花板，需要留出1~3mm用来固定AP。



Follow the procedure in "Mounting the device on a wall" to mount the device on the ceiling.
设备的安装方式和墙面安装一致。



4

Connecting an Ethernet cable 连接以太网线

The device supports non-standard PoE power supply only. You can power the device through an Ethernet port only when you use an Ethernet cable to connect the device to the downlink Ethernet port on the WT.

设备仅支持非标准PoE供电，只有当设备通过以太网线连接到WT系列的下行以太网接口时，可以使用以太网接口对设备进行供电。

