

Overview 简介

The S12500-X LPUs (also called interface modules) are compatible with the S12500X-AF switch, but the LPU slots of the S12500X-AF switch are higher and wider than the S12500-X LPUs. To install an S12500-X LPU on an S12500X-AF switch, install an interface module adapter in the LPU slot.

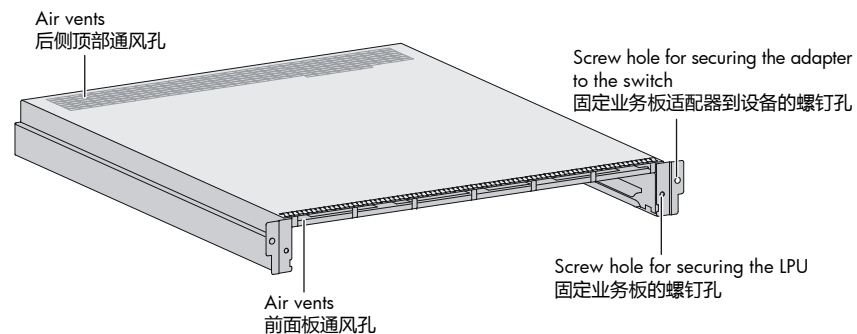
The S12500-F LPUs (also called interface modules) are compatible with the S12500F-AF switch, but the LPU slots of the S12500F-AF switch are higher and wider than the S12500-F LPUs. To install an S12500-F LPU on an S12500F-AF switch, install an interface module adapter in the LPU slot.

The interface module adapter provides air vents at the front and rear. Ambient air flows in through the air vents at the front.

S12500X-AF系列交换机兼容S12500-X系列交换机适配的业务板（简称S12500-X业务板）。但是，S12500X-AF系列交换机业务板槽位比S12500-X业务板更高、更宽。因此，当您在S12500X-AF系列交换机上安装S12500-X业务板时，需要先安装业务板适配器。

在S12500F-AF系列交换机上安装S12500-F业务板时情况相同，需要先安装S12500F-AF交换机业务板槽位上安装业务板适配器。

此外，业务板适配器前面板上侧开有通风孔，冷风可从业务板适配器前面板上的通风孔进入为设备散热。



Interface module adapter view
业务板适配器外观

▲ An interface module adapter is required only when you install an S12500-X LPU on an S12500X-AF switch or install an S12500-F LPU on an S12500F-AF switch .

仅当在S12500X-AF交换机上安装S12500-X业务板或在S12500F-AF交换机上安装S12500-F业务板时才需要安装业务板适配器。

For heat dissipation of the switch, you must install an LPU in the slot where an interface module adapter is installed. If you are not to install an LPU in the slot, remove the interface module adapter and install a filler panel.

安装了业务板适配器的槽位必须安装业务板，如果不需要安装业务板，请拆卸业务板适配器并安装假面板，否则会影响设备散热。

Tools required 准备工具



ESD wrist strap
防静电腕带



Phillips screwdriver
十字螺丝刀

▲ Wear an ESD wrist strap during the installation and removal procedure and make sure the strap has a good skin contact and is reliably grounded. 请在安装过程中佩戴防静电腕带，确保防静电腕带与皮肤良好接触，并确认防静电腕带已经良好接地。

Installing an interface module adapter 安装业务板适配器

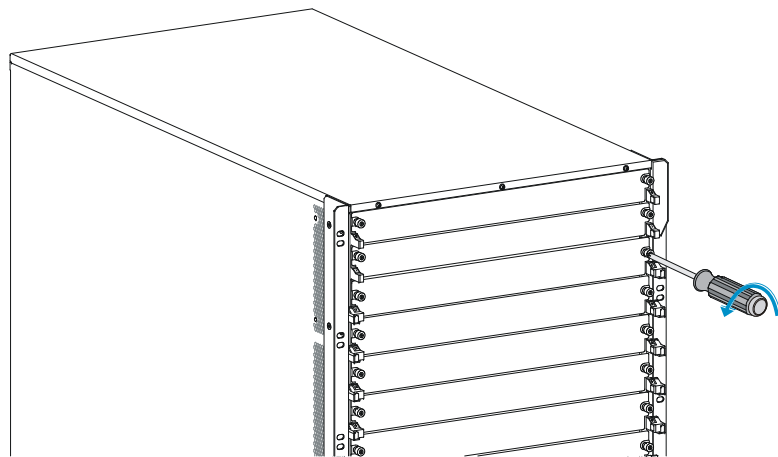
▲ If the target slot has a filler panel, remove the filler panel before you install the interface module adapter.

Keep the removed filler panel secure for future use.

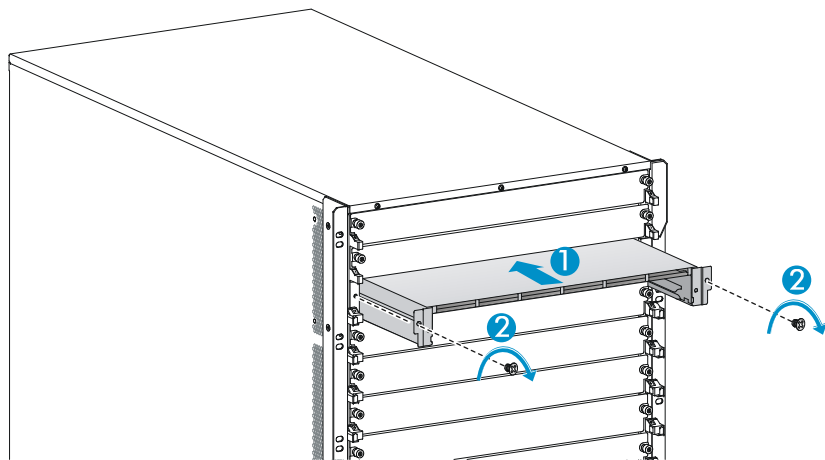
若待安装业务板的槽位装有假面板，请先将假面板取下，再安装业务板适配器。不准准备安装业务板的槽位请勿拆卸假面板，以免影响设备通风散热。

请妥善保存拆卸下来的假面板，以便将来需要时使用。

- 1 Loosen the captive screws on the filler panel with a Phillips screwdriver and remove the filler panel. 使用螺丝刀松开假面板两侧的松不脱螺钉，将假面板取下。

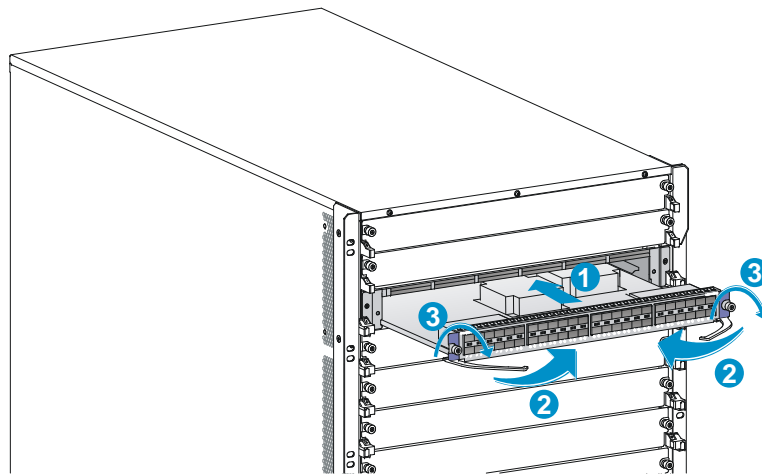


- 2 Unpack the interface module adapter. 将业务板适配器从包装袋中取出。
- 3 Align the adapter rear with the LPU slot and push the adapter slowly along the guide rails into the slot. 如下图所示方向，使业务板适配器后端对准业务板插槽，将业务板适配器沿机箱上的导轨平稳插入业务板插槽。
- 4 Use the screws that come with the interface module adapter to secure the adapter to the chassis. 使用业务板适配器自带的螺钉将业务板适配器固定在机箱上。



Installing an LPU 安装业务板

- 1 Loosen the captive screws on the protection box of the LPU, pull the ejector levers of the LPU outward, and pull out the LPU from the protection box. 使用螺丝刀松开业务板固定于金属防护盒上的松不脱螺钉，将业务板的两个扳手向外翻，然后将业务板从金属防护盒中拉出。
- 2 Hold the LPU by the front panel with one hand and support its bottom with the other. Slide the LPU steadily into the target slot along the guide rails with the PCB facing up. Do not touch the components on the PCB. 右手握住业务板前面板，左手托住业务板底部（操作时请注意不要碰到PCB板上的元器件），使PCB板的一面朝上并将业务板后端对准业务板适配器的插槽，沿着业务板适配器上的导轨平稳插入。
- 3 Push the LPU until the brakes on its ejector levers touch the slot edges tightly. 推动业务板直到其扳手的助力机构顶住槽位板边。
- 4 Continue to push the LPU by its middle part until you cannot move it. 继续推动业务板前面板中部，直到业务板停止向前滑动。
- 5 Push the ejector levers inward until they come in contact with the panel. 将两个扳手向内合拢，直到扳手贴紧业务板前面板。
- 6 Tighten the captive screws to secure the LPU to the interface module adapter. 用螺丝刀拧紧业务板上的松不脱螺钉，将业务板固定到业务板适配器上。



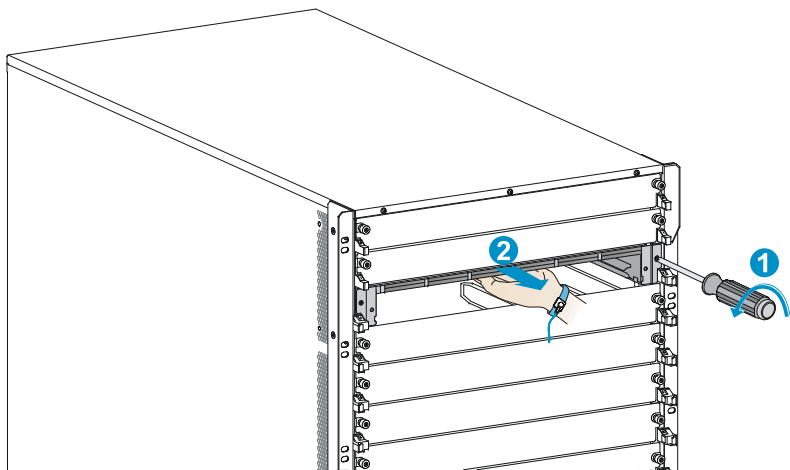
Removing an LPU 拆卸业务板

Loosen the captive screws that secure the LPU to the interface module adapter, pull the ejector levers outward, and pull the LPU out from the interface module adapter. 使用螺丝刀松开业务板固定于业务板适配器上的松不脱螺钉，将业务板的两个扳手向外翻，然后将业务板从业务板适配器中拉出。

▲ If you are not to install a new LPU, remove the interface module adapter and install a filler panel in the slot. 拆卸了业务板的槽位如果不需要安装新的业务板，请拆卸业务板适配器并安装假面板，否则会影响设备散热。

Removing an interface module adapter 拆卸业务板适配器

- 1 Loosen the captive screws that secure the interface module adapter to the chassis. Put your hand into the slot. Supporting the adapter top with your hand, pull out the adapter. 使用螺丝刀松开业务板适配器上的固定螺钉，手伸入业务板适配器的槽位开口位置，向上托住顶部，将业务板适配器拔出业务板插槽。
- 2 If you are not to install an LPU, install a filler panel in the slot. 如果该业务板槽位不需要安装业务板，请将业务板假面板插入插槽并使用螺钉固定到设备上。



Obtaining Documentation 资料获取方式

To access the most up-to-date H3C product documentation on the H3C website at www.h3c.com.hk:

1. Go to http://www.h3c.com.hk/Technical_Documents.
2. Choose the desired product category and model.

您可以访问H3C网站 (www.h3c.com) 获取最新的产品配套资料：

1. 请访问网址：http://www.h3c.com/cn/Technical_Documents；
2. 选择产品类别和产品型号，即可查询和下载与该产品相关的手册。

Copyright © 2017, New H3C Technologies Co., Ltd.

For more information about the product and installation procedures, log in to www.h3c.com.hk

Copyright © 2017 新华三技术有限公司 版权所有，保留一切权利。

如需了解产品及安装方面的更多信息，请登录H3C网站 www.h3c.com